

PARTS LIST

[MX-J150R]

* All printed circuit boards and its assemblies are not available as service parts.

CA-MXJ150R/SP-MXJ150R

Area suffix

E ----- Continental Europe
 EN ----- Northern Europe
 EV ----- Eastern Europe

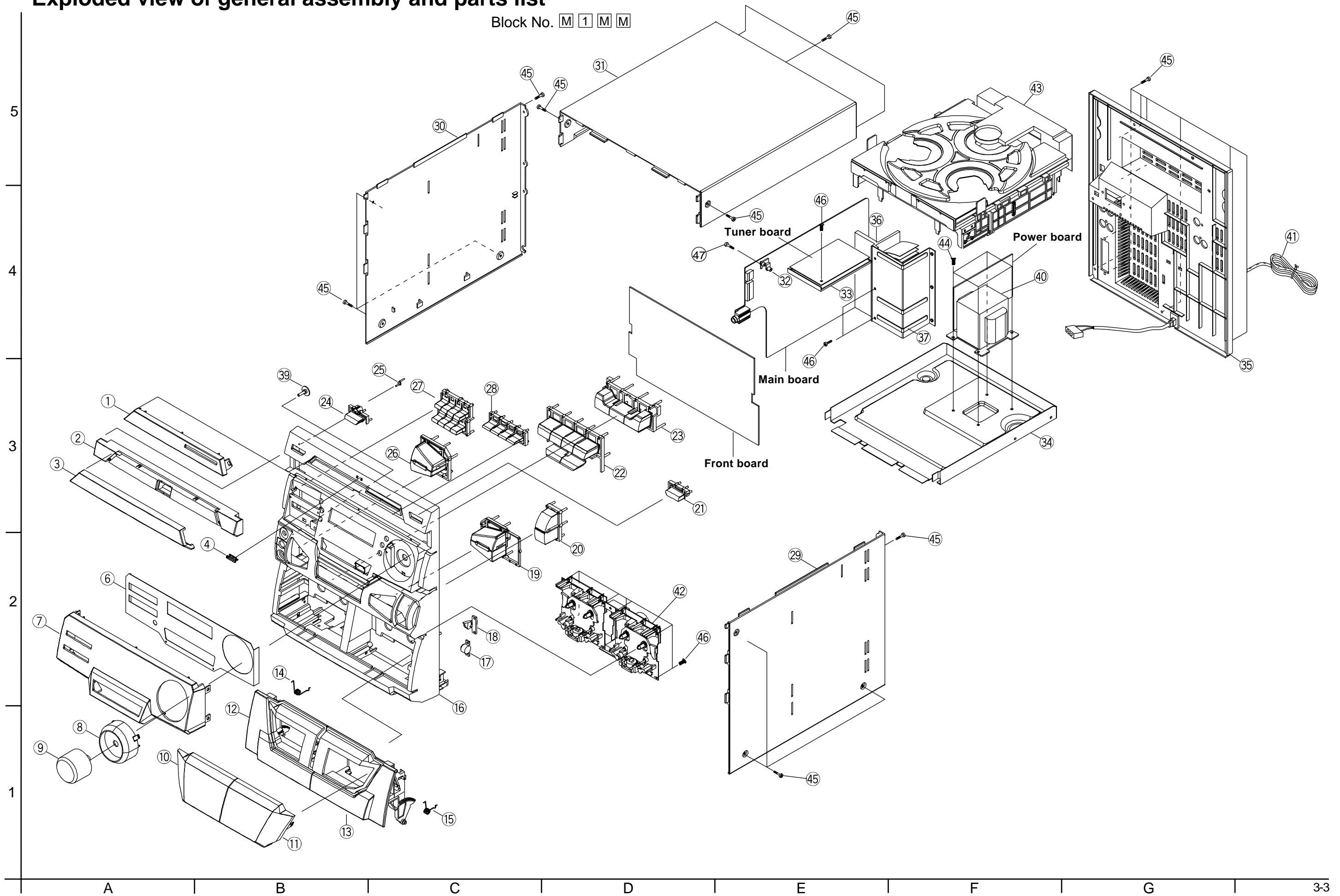
- Contents -

Exploded view of general assembly and parts list	3-3
CD mechanism assembly and parts list	3-4
CD changer mechanism assembly and parts list	3-5
Cassette mechanism assembly and parts list	3-7
Electrical parts list	3-8
Packing materials and accessories parts list	3-18

-MEMO-

Exploded view of general assembly and parts list

Block No. **M 1 M M**



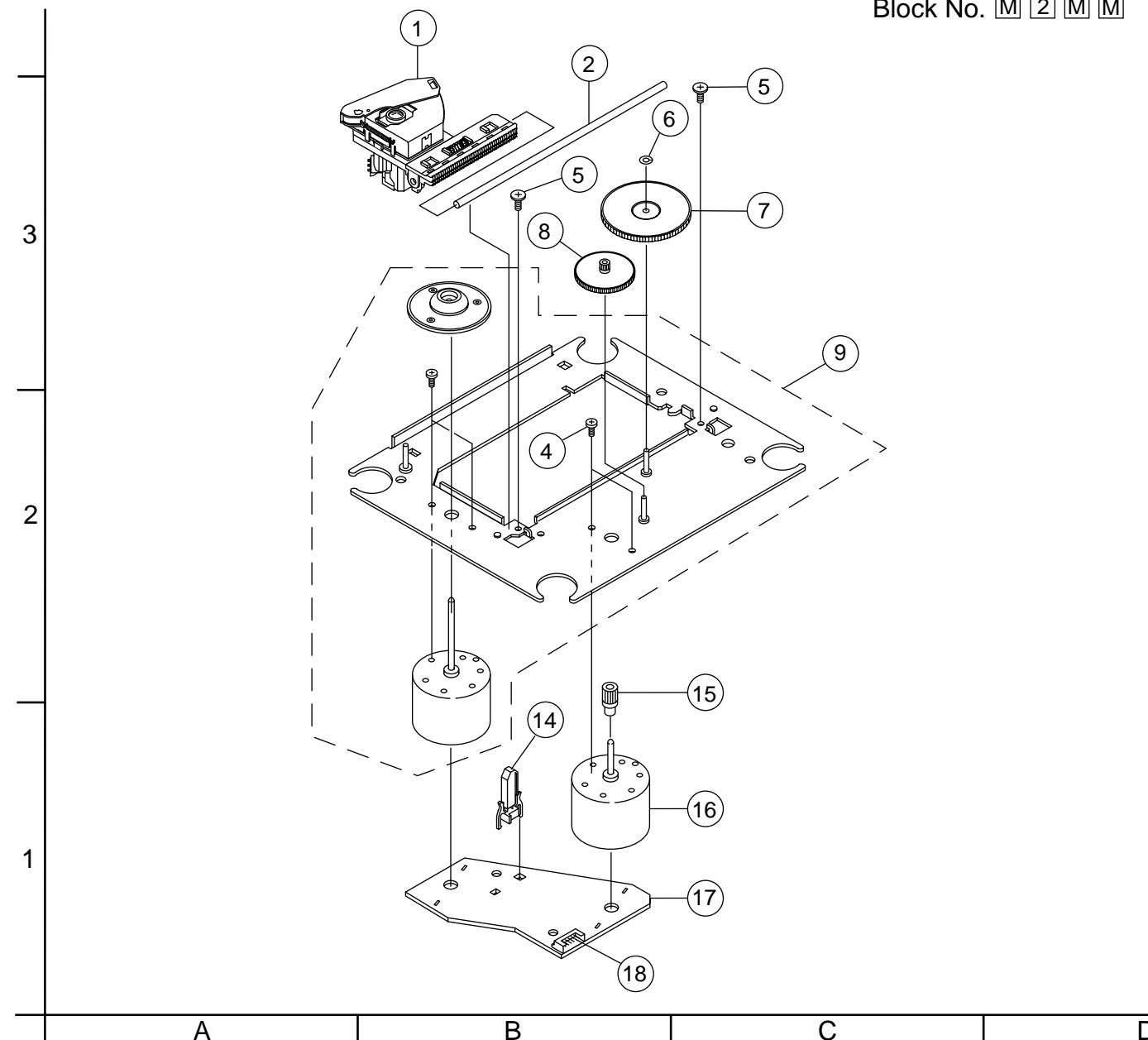
■ Parts list (General assembly)

Block No. M1MM

Item	Parts number	Parts name	Q'ty	Description	Area
1	AH64-00426B	WINDOW-CD	1		
2	AH64-00414B	DOOR-CD	1		
3	AH64-00429B	WINDOW-DOOR CD	1		
4	AH64-00462A	BADGE-JVC	1		
6	AH63-00107A	SHEET-FRONT	1		
7	AH64-00430C	WINDOW-VFD	1		
8	AH61-00271B	CAP-VOLUME	1		
9	AH64-00422B	KNOB-VOLUME	1		
10	AH64-00427B	WINDOW-DOOR A	1		
11	AH64-00428B	WINDOW-DOOR B	1		
12	AH64-00412B	DOOR-CASSETTE A	1		
13	AH64-00413B	DOOR-CASSETTE B	1		
14	AH61-62004A	SPRING-EJECT A	1		
15	AH61-62005A	SPRING-EJECT B	1		
16	AH64-00364B	CABINET-FRONT	1		
17	AH61-80030A	DAMPER-ASSY	2		
18	AH95-50001A	ASSY-LATCH	2		
19	AH64-00421B	KNOB-RECORD	1		
20	AH64-00423B	KNOB-DUBBING	1		
21	AH64-00420B	KNOB-CD OPEN	1		
22	AH64-00415B	KNOB-FUNCTION	1		
23	AH64-00418B	KNOB-PRESET	1		
24	AH64-00425C	KNOB-POWER	1		
25	AH67-00035A	LENS-POWER	1		
26	AH64-00440B	KNOB-PROGRAM	1		
27	AH64-00419B	KNOB-RDS	1		
28	AH64-00416B	KNOB-DISC CHANG	1		
29	AH64-00432A	CABINET-SIDE R	1		
30	AH64-00431A	CABINET-SIDE L	1		
31	AH64-30443D	CABINET-TOP	1		
32	AH61-00021B	PCB SUPPORT	1		
33	AH61-20540B	TUNER HOLDER	1		
34	AH64-30416C	CABINET-BOTTOM	1		
35	AH64-00365B	CABINET-REAR	1		
36	AH62-00023A	HEAT SINK-MAIN	1		
37	AH61-00250B	H.SINK BRACKET	1		
39	AH61-00380A	SHAFT-H/PHONE	1		
40	AH26-00054D	POWER TRANS	1		
41	QMP39F0-183	POWER COARD	1		
42	-----	CASEETTE MECHA	1		
43	-----	CD CHANGER MECHA	1		
44	QYSBSF4008Z	TAPPING SCRWE	4		
45	QYSDSF3008N	TAPPING SCRWE	19		
46	QYSBSF3008Z	TAPPING SCRWE	12		
47	AH61-40014A	RIVET SUPPORT	1		

CD mechanism assembly and parts list

Block No. M 2 M M



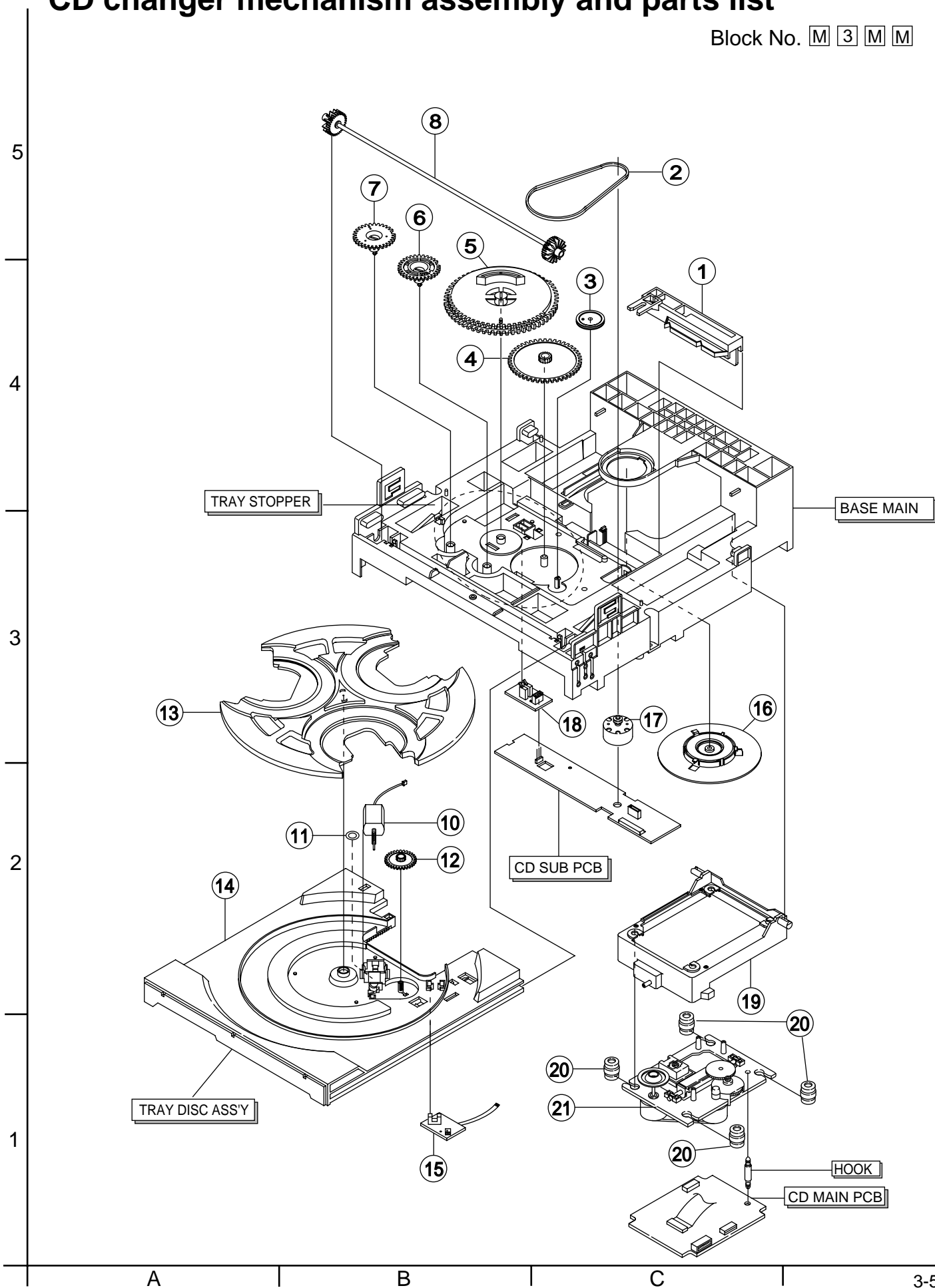
■ Parts list (CD mechanism)

Block No. M2MM

Item	Parts number	Parts name	Q'ty	Description	Area
1	AH30-00007A	OPTICAL PICK-UP	1		
2	AJ70-00601A	GUIDE SHAFT	1		
4	AJ60-00601D	SCREW	2		
5	6003-000294	SCREW	2	SHAFT	
6	AJ60-00608A	PLASTIC WASHER	1	PLAIN	
7	AJ66-00006A	GEAR	1		
8	AJ66-00005A	GEAR	1		
9	AH91-60150C	CHASSIS BASE	1		
14	3409-001078	LEAF SWITCH	1		
15	AJ66-00004A	GEAR	1	FEED	
16	AJ31-00601E	FEED MOTOR	1		
17	AJ41-00601S	MOTOR-PCB BOARD	1		
18	AJ37-00601A	CONN.TERMINAL	1		

CD changer mechanism assembly and parts list

Block No. M 3 M M



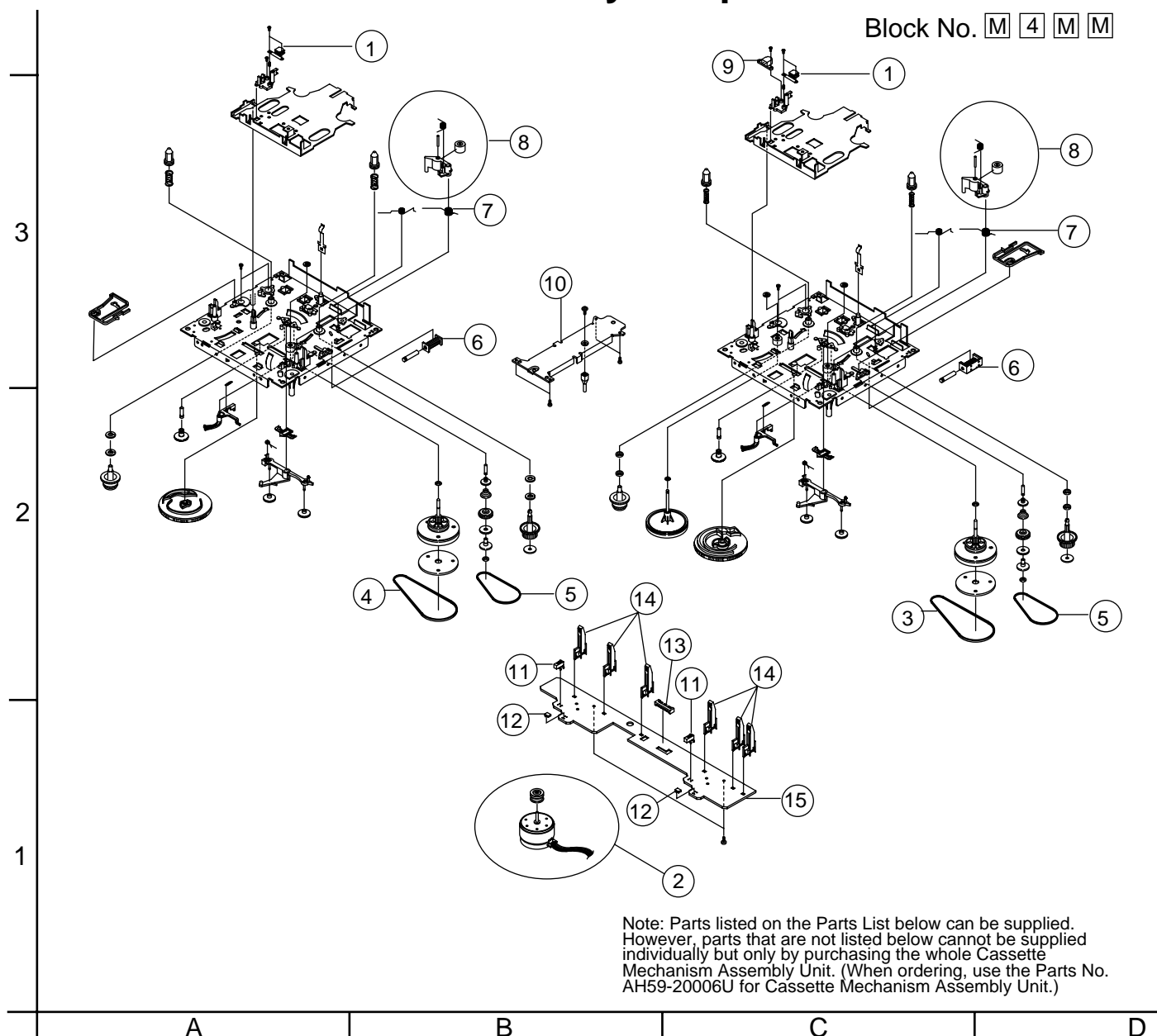
Parts list (CD changer mechanism)

Block No. M3MM

△	Item	Parts number	Parts name	Q'ty	Description	Area
	1	AH66-80022A	SLIDER CAM	1		
	2	AH66-60034A	ROAD BELT	1		
	3	AH66-20186A	PULLEY GEAR	1		
	4	AH66-20187A	ROAD GEAR	1		
	5	AH66-20188A	CAM GEAR	1		
	6	AH66-20189A	TRAY GEAR	1		
	7	AH66-20190A	CONVERT GEAR	1		
	8	AH66-20191A	SYNCRO GEAR	1		
	10	AH59-10098A	WORM-MOTOR ASSY	1		
	11	AH69-20044A	MOTOR CUSHION	1		
	12	AH66-20193A	ROULETTE GEAR	1		
	13	AH66-90056A	ROULETTE TRAY	1		
	14	AH66-90055A	DISK TRAY	1		
	15	AH59-10099A	SENSOR PCB ASSY	1		
	16	AH59-10100B	TABLE CHUCK ASS	1		
	17	AH59-10101A	MOTOR PULLY	1	ASS'Y PARTS	
	18	-----	SWITCH BOARD	1		
	19	AH66-30086A	LIFTER LEVER	1		
	20	AH73-10016A	RUBBER CUSHION	1		
	21	-----	CD MECHANISM	1		

Cassette mechanism assembly and parts list

Block No. M 4 M M



Parts list (Cassette mechanism)

Block No. M4MM

Item	Parts number	Parts name	Q'ty	Description	Area
1	AH81-00141A	R/P HEAD	2	TC881CB	
2	AH81-00142A	C.MOTOR ASS'Y	1	ADR2400-SHU2L	
3	AH81-00143A	MAIN BELT 1	1	ADR2400-MAIN76.	
4	AH81-00144A	MAIN BELT 2	1	ADR2400-MAIN64.	
5	AH81-00101A	SUB BELT	2	ADR2400-FR34.7	
6	AH81-00102A	SOLENOIDE	2	ADR2400-1	
7	AH81-00282A	SPRING	2		
8	AH81-00283A	PINCH LOLLER	2	ASS'Y PARTS	
9	AH81-00284A	E-HEAD	1	TC2131F	
10	AH81-00285A	MOTOR BRACKET	1		
11	AH81-00286A	LEAF SWITCH	2	ADR2400-MODE	
12	AH81-00287A	PHOTO SENSOR	2	ADR2400-SENSOR	
13	AH81-00288A	CONNECTOR	1	ADR2400-16	
14	AH81-00289A	LEAF SWITCH	6	ADR2400-MXS0022	
15	AH81-00290A	P.C.BOARD	1		

Electrical parts list

■ Electrical parts list (Main board)

Block No. 01

△	Item	Parts number	Parts name	Remarks	Area	△	Item	Parts number	Parts name	Remarks	Area
	AC 1	2201-000557	C CAPACITOR				AR 27	2001-000281	C RESISTOR		
	AC 2	2401-001904	E CAPACITOR				AR 30	2003-000689	OM RESISTOR		
	AC 3	2201-000368	C CAPACITOR				AR 31	2003-000689	OM RESISTOR		
	AC 4	2401-001164	E CAPACITOR				AR 32	2001-000290	C RESISTOR		
	AC 5	2201-000659	C CAPACITOR				AR 33	2001-000786	C RESISTOR		
	AC 6	2401-000357	E CAPACITOR				AR 34	2001-000591	C RESISTOR		
	AC 7	2401-000357	E CAPACITOR				AR 35	2001-000429	C RESISTOR		
	AC 13	2202-000854	C CAPACITOR				AR 36	2001-000449	C RESISTOR		
	AC 14	2201-000368	C CAPACITOR				AR 37	2001-000591	C RESISTOR		
	AC 15	2201-000659	C CAPACITOR				AR 38	2001-000429	C RESISTOR		
	AC 16	2401-001904	E CAPACITOR				AR 39	2001-000429	C RESISTOR		
	AC 17	2201-000557	C CAPACITOR				AR100	2001-000449	C RESISTOR		
	AC 18	2401-001164	E CAPACITOR				AR200	2001-000290	C RESISTOR		
	AC 20	2301-000375	C CAPACITOR				AR201	2001-000290	C RESISTOR		
	AC 21	2301-000375	C CAPACITOR				AR203	2001-000660	C RESISTOR		
	AC 22	2401-001092	E CAPACITOR				AR204	2001-000734	C RESISTOR		
	AC 23	2401-002180	E CAPACITOR				AR205	2001-000734	C RESISTOR		
	AC 24	2401-002180	E CAPACITOR				AR206	2001-000977	C RESISTOR		
	AC 25	2401-001538	E CAPACITOR				AR208	2001-000429	C RESISTOR		
	AC 26	2401-000871	E CAPACITOR				CCW 1	3710-001567	CONNECTOR		
	AC100	2401-001912	E CAPACITOR				CCW 2	3710-001571	CONNECTOR		
	AC101	2401-001975	E CAPACITOR				CON 1	AH39-50001L	LEAD-FASTEN		
	AC102	2401-000419	E CAPACITOR				DC 1	2301-000412	C CAPACITOR		
	AC408	2202-000854	C CAPACITOR				DC 2	2301-000379	C CAPACITOR		
	AD 1	0401-000101	DIODE	1N4148			DC 3	2301-000404	C CAPACITOR		
	AD 2	0401-000101	DIODE	1N4148			DC 4	2301-000422	C CAPACITOR		
	AD 3	0401-000101	DIODE	1N4148			DC 5	2201-000368	C CAPACITOR		
	AD 10	0401-000101	DIODE	1N4148			DC 6	2201-000368	C CAPACITOR		
△	AIC 1	1201-001544	IC				DC 7	2401-001912	E CAPACITOR		
	AJACK	3716-000209	TERMINAL BLOCK				DC 9	2301-000390	C CAPACITOR		
	AJW 1	AH39-00157D	LEAD-CONNECTOR	5P			DC 10	2301-000379	C CAPACITOR		
	AL 1	AH27-90001A	COIL	2.2UH			DC 11	2301-000370	C CAPACITOR		
	AL 3	AH27-90001A	COIL	2.2UH			DC 12	2301-000370	C CAPACITOR		
	AL 4	AH27-90001A	COIL	2.2UH			DC 13	2401-001022	E CAPACITOR		
	AL 5	AH27-90001A	COIL	2.2UH			DC 14	2401-001975	E CAPACITOR		
	AQ 1	0501-000407	TRNSISTOR	KSD471-YTA			DC 15	2401-000240	E CAPACITOR		
	AQ 2	0501-000407	TRNSISTOR	KSD471-YTA			DC 16	2301-000474	C CAPACITOR		
	AQ 6	0504-001003	TRNSISTOR	KSR2003TA			DC 17	2301-000393	C CAPACITOR		
	AQ 7	0501-000294	TRNSISTOR	KSA708-YTA			DC 18	2301-000375	C CAPACITOR		
	AQ 8	0501-000610	TRNSISTOR	KSA928A			DC 19	2401-002180	E CAPACITOR		
	AQ 9	0501-000407	TRNSISTOR	KSD471-YTA			DC 20	2401-001954	E CAPACITOR		
	AQ 10	0501-000407	TRNSISTOR	KSD471-YTA			DC 21	2401-001022	E CAPACITOR		
	AR	13954-100-310	PIPE CERAMIC	PH1.4 15MM WHT			DC 22	2202-000781	C CAPACITOR		
	AR 1	2001-000429	C RESISTOR				DC 23	2401-001975	E CAPACITOR		
	AR 2	2001-000780	C RESISTOR				DC 24	2401-000795	E CAPACITOR		
	AR 3	2001-000273	C RESISTOR				DC 25	2401-001022	E CAPACITOR		
	AR 4	2001-000281	C RESISTOR				DC 26	2201-000674	C CAPACITOR		
	AR 5	2001-000864	C RESISTOR				DC 27	2301-000400	C CAPACITOR		
	AR 6	2001-000924	C RESISTOR				DC 31	2401-001080	E CAPACITOR		
	AR 7	2001-000864	C RESISTOR				DC 32	2401-001022	E CAPACITOR		
	AR 8	2001-001153	C RESISTOR				DC 33	2401-001912	E CAPACITOR		
	AR 9	2003-000390	OM RESISTOR				DC 34	2401-001080	E CAPACITOR		
	AR 10	2003-000390	OM RESISTOR				DC 36	2201-000674	C CAPACITOR		
	AR 11	2003-000390	OM RESISTOR				DC 37	2301-000407	C CAPACITOR		
	AR 12	2003-000390	OM RESISTOR				DC 38	2401-001022	E CAPACITOR		
	AR 17	2001-000028	C RESISTOR				DC 39	2401-001975	E CAPACITOR		
	AR 18	2001-000924	C RESISTOR				DC 40	2202-000781	C CAPACITOR		
	AR 19	2001-000864	C RESISTOR				DC 41	2401-001022	E CAPACITOR		
	AR 20	2001-000864	C RESISTOR				DC 42	2301-000375	C CAPACITOR		
	AR 23	2001-000273	C RESISTOR				DC 43	2202-000781	C CAPACITOR		
	AR 24	2001-000429	C RESISTOR				DC 44	2401-002180	E CAPACITOR		
	AR 25	2001-000780	C RESISTOR				DC 45	2202-000781	C CAPACITOR		
	AR 26	2001-000290	C RESISTOR				DC 46	2202-000854	C CAPACITOR		

■ Electrical parts list (Main board)

Block No. 01

△	Item	Parts number	Parts name	Remarks	Area	△	Item	Parts number	Parts name	Remarks	Area
	DC 47	2301-000400	C CAPACITOR				DR 9	2001-000290	C RESISTOR		
	DC 48	2202-000796	C CAPACITOR				DR 10	2001-000429	C RESISTOR		
	DC 49	2401-000240	E CAPACITOR				DR 11	2001-000734	C RESISTOR		
	DC 50	2401-001975	E CAPACITOR				DR 12	2001-000924	C RESISTOR		
	DC 51	2301-000393	C CAPACITOR				DR 13	2001-000003	C RESISTOR		
	DC 52	2401-001022	E CAPACITOR				DR 15	2001-000290	C RESISTOR		
	DC 54	2301-000390	C CAPACITOR				DR 16	2001-000290	C RESISTOR		
	DC 55	2301-000370	C CAPACITOR				DR 18	2001-000734	C RESISTOR		
	DC 56	2301-000370	C CAPACITOR				DR 19	2001-000290	C RESISTOR		
	DC 57	2301-000379	C CAPACITOR				DR 20	2001-000977	C RESISTOR		
	DC 58	2301-000474	C CAPACITOR				DR 21	2001-000397	C RESISTOR		
	DC 59	2401-000438	E CAPACITOR				DR 22	2001-000890	C RESISTOR		
	DC 60	2401-000438	E CAPACITOR				DR 23	2001-000003	C RESISTOR		
	DC 61	2401-001022	E CAPACITOR				DR 24	2001-000786	C RESISTOR		
	DC 62	2401-001912	E CAPACITOR				DR 25	2001-000890	C RESISTOR		
	DC 63	2202-000821	C CAPACITOR				DR 26	2001-000708	C RESISTOR		
	DC 64	2202-000821	C CAPACITOR				DR 27	2001-000331	C RESISTOR		
	DC 70	2401-001895	E CAPACITOR				DR 28	2001-000325	C RESISTOR		
	DC 71	2202-000781	C CAPACITOR				DR 40	2001-000522	C RESISTOR		
	DC 72	2202-000781	C CAPACITOR				DR 41	2001-000734	C RESISTOR		
	DC 73	2301-000407	C CAPACITOR				DR 42	2001-000613	C RESISTOR		
	DC 74	2202-000243	C CAPACITOR				DR 43	2001-000258	C RESISTOR		
	DC 75	2202-000243	C CAPACITOR				DR 47	2001-000522	C RESISTOR		
	DC200	2301-000407	C CAPACITOR				DR 48	2001-000591	C RESISTOR		
	DC304	2202-000797	C CAPACITOR				DR 49	2001-000734	C RESISTOR		
	DC305	2202-000806	C CAPACITOR				DR 50	2001-000613	C RESISTOR		
	DC306	2202-000806	C CAPACITOR				DR 58	2001-000325	C RESISTOR		
	DD 1	0401-000101	DIODE	1N4148			DR 59	2001-000331	C RESISTOR		
	DD 2	0401-000101	DIODE	1N4148			DR 61	2001-000734	C RESISTOR		
	DD 3	0401-000101	DIODE	1N4148			DR 62	2001-000786	C RESISTOR		
	DD 4	0401-000101	DIODE	1N4148			DR 63	2001-000591	C RESISTOR		
	DIC 1	1201-000358	IC				DR 64	2001-000290	C RESISTOR		
	DIC 2	1201-000191	IC				DR 65	2001-000429	C RESISTOR		
	DL 1	AH26-10002Y	COIL	BIAS-TRAP			DR 66	2001-000003	C RESISTOR		
	DL 2	AH26-10002Y	COIL	BIAS-TRAP			DR 67	2001-000924	C RESISTOR		
	DL 5	AH27-00018A	COIL				DR 68	2001-000290	C RESISTOR		
	DL 6	2701-000298	INDUCTOR-AXIAL	470UH			DR 69	2001-000331	C RESISTOR		
	DQ 1	0501-000369	TRANSISTOR	KSC2331-Y-TA			DR 70	2001-000003	C RESISTOR		
	DQ 2	0501-000610	TRANSISTOR	KSA928A			DR 71	2001-000397	C RESISTOR		
	DQ 3	0501-000398	TRANSISTOR	KSC945-YTA			DR 72	2001-000977	C RESISTOR		
	DQ 4	0504-000118	TRANSISTOR	KSR1003TA			DR 73	2001-000449	C RESISTOR		
	DQ 5	0501-000010	TRANSISTOR	KSC1008-YTA			DR 74	2001-000786	C RESISTOR		
	DQ 6	0501-000010	TRANSISTOR	KSC1008-YTA			DR 75	2001-000449	C RESISTOR		
	DQ 7	0501-000010	TRANSISTOR	KSC1008-YTA			DR 76	2001-000429	C RESISTOR		
	DQ 8	0501-000010	TRANSISTOR	KSC1008-YTA			DR 77	2001-000522	C RESISTOR		
	DQ 9	0504-001003	TRANSISTOR	KSR2003TA			DR 78	2001-000734	C RESISTOR		
	DQ 10	0504-000118	TRANSISTOR	KSR1003TA			DR 79	2001-000449	C RESISTOR		
	DQ 11	0501-000398	TRANSISTOR	KSC945-YTA			DR 80	2001-000449	C RESISTOR		
	DQ 12	0501-000398	TRANSISTOR	KSC945-YTA			DR 81	2001-000449	C RESISTOR		
	DQ 13	0501-000398	TRANSISTOR	KSC945-YTA			DR 82	2001-000449	C RESISTOR		
	DQ 14	0501-000398	TRANSISTOR	KSC945-YTA			DR 83	2001-000449	C RESISTOR		
	DQ 15	0504-001003	TRANSISTOR	KSR2003TA			DR 84	2001-000449	C RESISTOR		
	DQ 16	0501-000398	TRANSISTOR	KSC945-YTA			DR 85	2001-000786	C RESISTOR		
	DQ 17	0501-000398	TRANSISTOR	KSC945-YTA			DR 86	2001-000773	C RESISTOR		
	DQ 18	0504-001003	TRANSISTOR	KSR2003TA			DR 87	2001-000525	C RESISTOR		
	DQ 20	0504-000118	TRANSISTOR	KSR1003TA			DR 88	2001-000449	C RESISTOR		
	DR 1	2001-000440	C RESISTOR				DR 89	2001-000008	C RESISTOR		
	DR 2	2001-000440	C RESISTOR				DR 90	2001-000591	C RESISTOR		
	DR 3	2001-000734	C RESISTOR				DR 91	2001-000008	C RESISTOR		
	DR 5	2001-000290	C RESISTOR				DR 92	2001-000591	C RESISTOR		
	DR 6	2001-001096	C RESISTOR				DR 93	2001-000591	C RESISTOR		
	DR 7	2001-000786	C RESISTOR				DR 94	2001-000864	C RESISTOR		
	DR 8	2001-000591	C RESISTOR				DR 95	2001-000449	C RESISTOR		

■ Electrical parts list (Main board)

Block No. 01

△	Item	Parts number	Parts name	Remarks	Area	△	Item	Parts number	Parts name	Remarks	Area
	DR 96	2001-000864	C RESISTOR				FR 11	2001-000411	C RESISTOR		
	DR 97	2001-000563	C RESISTOR				FR 12	2001-000786	C RESISTOR		
	DR 98	2001-000449	C RESISTOR				FR 13	2001-000702	C RESISTOR		
	DR 99	2001-000563	C RESISTOR				FR 14	2001-000786	C RESISTOR		
	DR100	2001-000258	C RESISTOR				FR 15	2001-000702	C RESISTOR		
	DR101	2001-000281	C RESISTOR				FR 16	2001-000429	C RESISTOR		
	DR102	2001-000281	C RESISTOR				FR 17	2001-000429	C RESISTOR		
	DR120	2001-000449	C RESISTOR				FR 18	2001-000221	C RESISTOR		
	DR200	2001-001140	C RESISTOR				FR 19	2001-000221	C RESISTOR		
	DR201	2001-001153	C RESISTOR				FW 1	3711-004109	CONNECTOR		
	DR203	2001-000522	C RESISTOR				FW 2	3711-002809	CONNECTOR		
	DVR 1	2103-000248	SEMI F.VR.				FZD 1	0403-000372	ZENER DIODE	UZ9.1BM	
	DVR 2	2103-000248	SEMI F.VR.				PC 1	2401-001928	E CAPACITOR		
	DVR 3	2103-000492	SEMI F.VR.				PC 2	2401-001928	E CAPACITOR		
	DW 1	3711-003111	CONNECTOR				PC 3	2201-000783	C CAPACITOR		
	DW 2	3711-003107	CONNECTOR				PC 4	2201-000783	C CAPACITOR		
	DW 3	3711-003107	CONNECTOR				PC 5	2201-000783	C CAPACITOR		
	FC 1	2301-000375	C CAPACITOR				PC 6	2201-000783	C CAPACITOR		
	FC 2	2301-000375	C CAPACITOR				PC 7	2401-003116	E CAPACITOR		
	FC 3	2201-000928	C CAPACITOR				PC 8	2401-001413	E CAPACITOR		
	FC 4	2401-001912	E CAPACITOR				PC 9	2401-001954	E CAPACITOR		
	FC 5	2401-001975	E CAPACITOR				PC 10	2401-001954	E CAPACITOR		
	FC 6	2301-000375	C CAPACITOR				PC 11	2401-001895	E CAPACITOR		
	FC 7	2301-000375	C CAPACITOR				PC 13	2401-001895	E CAPACITOR		
	FC 8	2201-000928	C CAPACITOR				PC 14	2401-001954	E CAPACITOR		
	FC 9	2401-001912	E CAPACITOR				PC 15	2401-001954	E CAPACITOR		
	FC 10	2202-000781	C CAPACITOR				PC 16	2401-001912	E CAPACITOR		
	FC 11	2202-000781	C CAPACITOR				PC 17	2401-000475	E CAPACITOR		
	FC 12	2202-000781	C CAPACITOR				PC 19	2401-000475	E CAPACITOR		
	FC 13	2401-000907	E CAPACITOR				PC 20	2401-000230	E CAPACITOR		
	FC 14	2401-001917	E CAPACITOR				PC 21	2401-001954	E CAPACITOR		
	FC 15	2401-001917	E CAPACITOR				PC 23	2201-000783	C CAPACITOR		
	FC 16	2201-000368	C CAPACITOR				PC 24	2201-000783	C CAPACITOR		
	FC 17	2201-000368	C CAPACITOR				PC 25	2401-001511	E CAPACITOR		
	FC 18	2401-001954	E CAPACITOR				PC 26	2301-000449	C CAPACITOR		
	FC 19	2401-001912	E CAPACITOR				PC 27	2401-001538	E CAPACITOR		
	FC 20	2401-001912	E CAPACITOR				PC 28	2401-000795	E CAPACITOR		
	FC 21	2301-000379	C CAPACITOR				PC 29	2401-001975	E CAPACITOR		
	FC 22	2201-000504	C CAPACITOR				PC 30	2201-000565	C CAPACITOR		
	FC 23	2401-001912	E CAPACITOR				PC 31	2401-001895	E CAPACITOR		
	FC 24	2401-001912	E CAPACITOR				PC 32	2401-001102	E CAPACITOR		
	FC 25	2401-001912	E CAPACITOR				PC 33	2202-000797	C CAPACITOR		
	FC 26	2401-001912	E CAPACITOR				PCW 1	AH39-00144A	LEAD-CONNECTOR	9P	
	FC100	2401-001895	E CAPACITOR				PD 1	0402-000450	DIODE	200V	
	FC103	2201-000368	C CAPACITOR				△ PD 2	0402-000151	DIODE	1N5392	
	FC104	2201-000368	C CAPACITOR				△ PD 3	0402-000151	DIODE	1N5392	
	FD 1	0401-000101	DIODE	1N4148			△ PD 4	0402-000151	DIODE	1N5392	
	FIC 1	1204-001621	IC				△ PD 5	0402-000151	DIODE	1N5392	
	FJACK	3722-000377	JACK-RCA				PD 6	0402-000127	DIODE	1N4002	
	FQ 1	0504-000122	TRNSISTOR	KSR1009TA			PD 7	0402-000127	DIODE	1N4002	
	FQ 2	0504-000122	TRNSISTOR	KSR1009TA			PD 8	0402-000127	DIODE	1N4002	
	FQ 3	0504-001003	TRNSISTOR	KSR2003TA			PD 9	0402-000151	DIODE	1N5392	
	FQ 4	0501-000407	TRNSISTOR	KSD471-YTA			PD 10	0402-000151	DIODE	1N5392	
	FR 1	2001-000613	C RESISTOR				PIC 1	1203-000242	IC	7812	
	FR 2	2001-000241	C RESISTOR				△ PIC 2	1203-000276	IC	KA7805-AB	
	FR 3	2001-000023	C RESISTOR				PIC 3	1203-000110	IC		
	FR 4	2001-000281	C RESISTOR				PL 1	2701-000114	INDUCTOR-AXIAL		
	FR 5	2001-000281	C RESISTOR				PL 2	2701-000298	INDUCTOR-AXIAL	470UH	
	FR 6	2001-000281	C RESISTOR				△ PQ 1	0502-000424	POWER TRANSISTO		
	FR 7	2001-000613	C RESISTOR				△ PQ 2	0502-000424	POWER TRANSISTO		
	FR 8	2001-000411	C RESISTOR				PQ 3	0501-000331	TRNSISTOR	KSC1009-YTA	
	FR 9	2001-000008	C RESISTOR				PQ 4	0501-000398	TRNSISTOR	KSC945-YTA	
	FR 10	2001-000008	C RESISTOR				PQ 5	0501-000294	TRNSISTOR	KA708-YTA	

■ Electrical parts list (Main board)

Block No. 01

△	Item	Parts number	Parts name	Remarks	Area
	PQ 6	0501-000610	TRNSISTOR	KSA928A	
	PQ 9	0504-000118	TRNSISTOR	KSR1003TA	
	PQ 10	0501-000294	TRNSISTOR	KSA708-YTA	
	PQ 11	0502-000407	POWER TRANSISTO		
	PR	13954-500-210	PIPE CERAMIC	PI1.4 7MM	
	PR 1	2003-000690	OM RESISTOR		
	PR 3	2001-000793	C RESISTOR		
	PR 4	2001-000793	C RESISTOR		
△	PR 5	2008-000135	FUSE RESISTOR		
	PR 6	2008-000135	FUSE RESISTOR		
	PR 7	2008-000135	FUSE RESISTOR		
	PR 8	2001-000890	C RESISTOR		
	PR 9	2001-000613	C RESISTOR		
	PR 10	2001-000734	C RESISTOR		
	PR 11	2003-000701	OM RESISTOR		
	PR 12	2001-001153	C RESISTOR		
	PR 13	2001-001153	C RESISTOR		
	PR 14	2001-000290	C RESISTOR		
	PR 15	2001-000522	C RESISTOR		
	PR 16	2001-000786	C RESISTOR		
	PR 17	2001-000734	C RESISTOR		
	PR 18	2001-000977	C RESISTOR		
	PR 19	2001-000290	C RESISTOR		
	PR 20	2003-000690	OM RESISTOR		
	PR 21	2001-000290	C RESISTOR		
	PR 22	2001-000522	C RESISTOR		
	PR 23	2001-000780	C RESISTOR		
	PR 26	2003-000468	OM RESISTOR		
	PR 27	2001-000027	C RESISTOR		
	PR 28	2001-000020	C RESISTOR		
	PR 29	2001-000023	C RESISTOR		
	PR 30	2001-000290	C RESISTOR		
	PR 31	2001-000429	C RESISTOR		
	PZD 1	0403-000564	ZENER DIODE	TZP16A	
	PZD 2	0403-000564	ZENER DIODE	TZP16A	
	PZD 3	0403-001010	ZENER DIODE	UZP5.6B	
	PZD 4	0403-000354	ZENER DIODE	UZ5.1B	
	PZD 5	0403-000377	ZENER DIODE	UZP10B	
	PZD 6	0403-000377	ZENER DIODE	UZP10B	
	PZD 8	0403-000377	ZENER DIODE	UZP10B	
	RC 1	2201-000546	C CAPACITOR		
	RC 2	2201-000546	C CAPACITOR		
	RCW 1	3711-001167	CONNECTOR	BOX 9P	
	RCW 2	3711-000190	CONNECTOR		
	RF 1	3601-000318	E CAPACITOR		
	RF 12	3602-000147	FUSE CLIP		
	RL 1	AH27-10001F	COIL	27UH	
	RL 2	AH27-10001F	COIL	27UH	
	RR 1	2008-000135	FUSE RESISTOR		
	RR 2	2008-000135	FUSE RESISTOR		
	RR 3	2008-000137	FUSE RESISTOR		
	RR 4	2008-000137	FUSE RESISTOR		
	VR 32	2001-000786	C RESISTOR		
	VR 35	2001-000786	C RESISTOR		

■ Electrical parts list (Tuner board)

Block No. 02

△	Item	Parts number	Parts name	Remarks	Area	△	Item	Parts number	Parts name	Remarks	Area
	HIC 1	AH14-10007G	IC				TC 61	2203-001105	C CAPASITOR		
	LWANT	AH27-00011A	OSC COIL				TC 62	2203-001105	C CAPASITOR		
	LWOSC	AH27-00007A	OSC COILT				TC 63	2203-001551	C CAPASITOR		
	MWANT	AH27-00012A	OSC COIL	MWANT			TC 64	2203-001551	C CAPASITOR		
	MWOS	AH27-00008A	OSC COIL				TC 99	2203-000609	C CAPASITOR		
	PACK	2202-000263	C CAPACITOR				TC102	14529-304-610	CERAMIC FILTER	AHCM2-450BL	
	PACK	AH40-10025S	TUNER PACK	ST-F404VA-3			TD 3	0401-000101	DIODE		
	RC 4	2203-001524	C CAPASITOR				TD 4	0401-000101	DIODE		
	RC 5	2203-001524	C CAPASITOR				TD 5	0401-000101	DIODE		
	RC 6	2401-002180	E CAPACITOR				TD 6	0401-000101	DIODE		
	RC 7	2203-000979	C CAPASITOR				TFL 1	2903-000119	CERAMIC FILTER	10.7M	
	RC 8	2203-001058	C CAPASITOR				TFL 2	2903-000105	CERAMIC FILTER	10.7MHZ+-25KHZ	
	RC 9	2202-000796	C CAPACITOR				TIC 1	AH14-10008B	IC	LA1837	
	RIC 1	AH14-10008E	IC				TJ 1	3716-000210	ANT TARMINAL		
	RR 5	2001-000429	C RESISTOR				TJ 2	3711-000814	CONNECTOR		
	RR1A	2001-000118	C RESISTOR				TL 2	AH26-10001E	IFT		
	RX 1	2801-003601	CRYSTAL UNIT	4.332MHZ			TL 3	AH26-10020A	TRANS DET		
	RZD 1	0403-000393	ZENER DIODE				TLPF1	AH26-00005A	IFT	LOW PASS	
	TC 1	2203-000609	C CAPASITOR				TLPF2	AH26-00005A	IFT	LOW PASS	
	TC 2	2203-001517	C CAPASITOR				TQ 1	0501-000398	TRASISTOR		
	TC 3	2203-000260	C CAPASITOR				TQ 2	0501-000392	TRASISTOR		
	TC 4	2401-001975	E CAPACITOR				TQ 3	0501-000392	TRASISTOR		
	TC 5	2203-000609	C CAPASITOR				TQ 4	0501-000294	TRASISTOR		
	TC 6	2203-000979	C CAPASITOR				TQ 5	0501-000398	TRASISTOR		
	TC 7	2203-000429	C CAPASITOR				TQ 6	0501-000398	TRASISTOR		
	TC 9	2401-001975	E CAPACITOR				TQ 7	0501-000398	TRASISTOR		
	TC 10	2203-000979	C CAPASITOR				TR 1	2001-000331	C RESISTOR		
	TC 11	2401-001912	E CAPACITOR				TR 2	2007-000300	CHIP RESISTOR		
	TC 12	2401-000419	E CAPACITOR				TR 3	2001-000449	C RESISTOR		
	TC 13	2203-000979	C CAPASITOR				TR 4	2007-000872	CHIP RESISTOR		
	TC 14	2201-000565	C CAPACITOR				TR 5	2001-000281	C RESISTOR		
	TC 15	2203-000979	C CAPASITOR				TR 6	2007-000030	CHIP RESISTOR		
	TC 16	2401-001954	E CAPACITOR				TR 7	2007-000518	CHIP RESISTOR		
	TC 17	2401-001912	E CAPACITOR				TR 8	2007-000822	CHIP RESISTOR		
	TC 18	2401-001968	E CAPACITOR				TR 9	2007-000468	CHIP RESISTOR		
	TC 19	2401-001912	E CAPACITOR				TR 10	2007-000308	CHIP RESISTOR		
	TC 20	2203-000260	C CAPASITOR				TR 11	2007-000572	CHIP RESISTOR		
	TC 21	2401-000240	E CAPACITOR				TR 12	2007-000686	CHIP RESISTOR		
	TC 23	2401-001954	E CAPACITOR				TR 13	2001-000515	C RESISTOR		
	TC 25	2401-001954	E CAPACITOR				TR 15	2007-000586	CHIP RESISTOR		
	TC 26	2401-000419	E CAPACITOR				TR 17	2007-000981	CHIP RESISTOR		
	TC 27	2401-000419	E CAPACITOR				TR 18	2001-000449	C RESISTOR		
	TC 28	2203-000260	C CAPASITOR				TR 19	2007-000282	CHIP RESISTOR		
	TC 29	2203-000260	C CAPASITOR				TR 20	2007-000409	CHIP RESISTOR		
	TC 30	2401-000419	E CAPACITOR				TR 21	2007-000300	CHIP RESISTOR		
	TC 32	2203-001132	C CAPASITOR				TR 22	2007-000300	CHIP RESISTOR		
	TC 33	2203-000844	C CAPASITOR				TR 23	2007-000710	CHIP RESISTOR		
	TC 34	2401-000907	E CAPACITOR				TR 24	2007-000290	CHIP RESISTOR		
	TC 35	2203-000979	C CAPASITOR				TR 25	2007-001043	CHIP RESISTOR		
	TC 37	2401-001022	E CAPACITOR				TR 27	2007-001071	CHIP RESISTOR		
	TC 38	2401-001164	E CAPACITOR				TR 28	2007-000457	CHIP RESISTOR		
	TC 39	2201-000565	C CAPACITOR				TR 29	2007-000686	CHIP RESISTOR		
	TC 40	2202-000796	C CAPACITOR				TR 30	2001-000117	C RESISTOR		
	TC 41	2203-000239	C CAPASITOR				TR 32	2001-000241	C RESISTOR		
	TC 42	2202-000796	C CAPACITOR				TR 34	2001-000241	C RESISTOR		
	TC 43	2401-001968	E CAPACITOR				TR 35	2007-000493	CHIP RESISTOR		
	TC 44	2203-000260	C CAPASITOR				TR 36	2007-000493	CHIP RESISTOR		
	TC 45	2203-000979	C CAPASITOR				TR 37	2007-000830	CHIP RESISTOR		
	TC 46	2401-000240	E CAPACITOR				TR 38	2007-001177	CHIP RESISTOR		
	TC 47	2401-001895	E CAPACITOR				TR 39	2001-000290	C RESISTOR		
	TC 48	2202-000807	C CAPASITOR				TR 41	2001-000802	C RESISTOR		
	TC 50	2203-001611	C CAPASITOR				TR 42	2001-000734	C RESISTOR		
	TC 51	2203-001611	C CAPASITOR				TR 43	2007-000290	CHIP RESISTOR		

■ Electrical parts list (Tuner board)

Block No. 02

△	Item	Parts number	Parts name	Remarks	Area
	TR 44	2007-001177	CHIP RESISTOR		
	TR 44	2001-000118	C RESISTOR		
	TR 45	2007-000282	CHIP RESISTOR		
	TR 46	2007-000300	CHIP RESISTOR		
	TR 47	2007-000282	CHIP RESISTOR		
	TR 48	2007-000300	CHIP RESISTOR		
	TR 49	2007-000282	CHIP RESISTOR		
	TR 50	2007-000300	CHIP RESISTOR		
	TR 51	2007-000872	CHIP RESISTOR		
	TR 52	2007-000468	CHIP RESISTOR		
	TR 53	2007-000300	CHIP RESISTOR		
	TR 54	2007-000300	CHIP RESISTOR		
	TR 55	2001-000429	C RESISTOR		
	TR 56	2007-000300	CHIP RESISTOR		
	TR 57	2001-000802	C RESISTOR		
	TR 58	2001-000273	C RESISTOR		
	TR 61	2001-000591	C RESISTOR		
	TR 62	2001-000591	C RESISTOR		
	TR105	2007-000586	CHIP RESISTOR		
	TR400	2001-000522	C RESISTOR		
	TSR 1	2103-000290	VR-SEMI F.VR		
	TWA 1	3710-001421	C/SOCKET	14P	
	TX 1	2801-000734	CRYSTAL UNIT	7.2MHZ	
	TZD 1	0403-000367	ZENER DIODE		
	TZD 2	0403-000393	ZENER DIODE		
	VVC 1	0405-000137	VARACTOR DIODE		

Apology

There are two-place TR44 on board

Honorific titles of parts must be the distinctions by the chip resistor stile and the carbon resistor stile.

■ Electrical parts list (Front board)

Block No. 03

△	Item	Parts number	Parts name	Remarks	Area	△	Item	Parts number	Parts name	Remarks	Area
	REEYE	AC59-60060A	REMOCON MODULE				UD 27	0401-000101	DIODE	1N4148	
	SW 1	3404-000165	TACT SWITCH	SKHV10910A			UD 28	0401-000101	DIODE	1N4148	
	SW 2	3404-000165	TACT SWITCH	SKHV10910A			UD 29	0401-000101	DIODE	1N4148	
	SW 3	3404-000165	TACT SWITCH	SKHV10910A			UD 30	0402-000127	DIODE	1N4002	
	SW 4	3404-000165	TACT SWITCH	SKHV10910A			UIC 1	AH11-00017C	IC	LC866548V-5R89	
	SW 5	3404-000165	TACT SWITCH	SKHV10910A			UIC 2	AH14-10007C	IC	NJU3711M LATCH	
	SW 6	3404-000165	TACT SWITCH	SKHV10910A			ULD 1	0601-001238	LEAD CONNECTOR		
	SW 11	3404-000165	TACT SWITCH	SKHV10910A			UQ 1	0501-000398	TRANSISTOR	KSC945-YTA	
	SW 12	3404-000165	TACT SWITCH	SKHV10910A			UQ 2	0501-000398	TRANSISTOR	KSC945-YTA	
	SW 13	3404-000165	TACT SWITCH	SKHV10910A			UQ 3	0501-000610	TRANSISTOR	KSA928A	
	SW 14	3404-000165	TACT SWITCH	SKHV10910A			UQ 4	0504-000118	TRANSISTOR	KSR1003TA	
	SW 15	3404-000165	TACT SWITCH	SKHV10910A			UQ 5	0504-000118	TRANSISTOR	KSR1003TA	
	SW 16	3404-000165	TACT SWITCH	SKHV10910A			UQ 6	0501-000610	TRANSISTOR	KSA928A	
	SW 17	3404-000165	TACT SWITCH	SKHV10910A			UQ 7	0501-000610	TRANSISTOR	KSA928A	
	SW 18	3404-000165	TACT SWITCH	SKHV10910A			UQ 8	0504-000118	TRANSISTOR	KSR1003TA	
	SW 19	3404-000165	TACT SWITCH	SKHV10910A			UQ 9	0501-000398	TRANSISTOR	KSC945-YTA	
	SW 20	3404-000165	TACT SWITCH	SKHV10910A			UQ 10	0504-000118	TRANSISTOR	KSR1003TA	
	SW 21	3404-000165	TACT SWITCH	SKHV10910A			UQ 15	0504-000118	TRANSISTOR	KSR1003TA	
	SW 22	3404-000165	TACT SWITCH	SKHV10910A			UR 1	2001-000258	C RESISTOR		
	SW 23	3404-000165	TACT SWITCH	SKHV10910A			UR 2	2001-000405	C RESISTOR	180OHM 5% 1/8W	
	SW 24	3404-000165	TACT SWITCH	SKHV10910A			UR 3	2001-000241	C RESISTOR		
	SW 25	3404-000165	TACT SWITCH	SKHV10910A			UR 4	2001-000429	C RESISTOR		
	SW 27	3404-000165	TACT SWITCH	SKHV10910A			UR 5	2001-000429	C RESISTOR		
	SW 28	3404-000165	TACT SWITCH	SKHV10910A			UR 6	2001-000429	C RESISTOR		
	SW 29	3404-000165	TACT SWITCH	SKHV10910A			UR 7	2001-000734	C RESISTOR		
	SW 30	3404-000165	TACT SWITCH	SKHV10910A			UR 8	2001-000734	C RESISTOR		
	SW 31	3404-000165	TACT SWITCH	SKHV10910A			UR 9	2001-000734	C RESISTOR		
	SW 32	3404-000165	TACT SWITCH	SKHV10910A			UR 10	2001-000734	C RESISTOR		
	SW 33	3404-000165	TACT SWITCH	SKHV10910A			UR 11	2001-000734	C RESISTOR		
	SW 34	3404-000165	TACT SWITCH	SKHV10910A			UR 12	2001-000734	C RESISTOR		
	TAPE	3809-001146	CABLE FLAT				UR 13	2001-000734	C RESISTOR		
	UC 1	2401-000459	E CAPACITOR				UR 14	2001-000734	C RESISTOR		
	UC 2	2401-000475	E CAPACITOR				UR 15	2001-000734	C RESISTOR		
	UC 3	2201-000565	C CAPACITOR				UR 16	2001-000734	C RESISTOR		
	UC 4	2201-000565	C CAPACITOR				UR 17	2001-000734	C RESISTOR		
	UC 5	2201-000565	C CAPACITOR				UR 20	2001-000290	C RESISTOR		
	UC 6	2401-000240	E CAPACITOR				UR 21	2001-000290	C RESISTOR		
	UC 7	2201-000825	C CAPACITOR				UR 22	2001-000290	C RESISTOR		
	UC 8	2201-000825	C CAPACITOR				UR 23	2001-000290	C RESISTOR		
	UC 9	2201-000247	C CAPACITOR				UR 24	2001-000281	C RESISTOR		
	UC 10	2201-000247	C CAPACITOR				UR 25	2001-000429	C RESISTOR		
	UC 11	2401-000459	E CAPACITOR				UR 26	2001-000429	C RESISTOR		
	UC 12	2401-001931	E CAPACITOR				UR 27	2001-000429	C RESISTOR		
	UC 13	2401-001952	E CAPACITOR				UR 28	2001-000429	C RESISTOR		
	UC 14	2202-000807	C CAPASITOR				UR 29	2001-000429	C RESISTOR		
	UC 15	2202-000854	C CAPACITOR				UR 30	2001-000429	C RESISTOR		
	UC 16	2201-000300	C CAPACITOR				UR 31	2001-000591	C RESISTOR		
	UC 17	2202-000797	C CAPACITOR				UR 32	2001-000429	C RESISTOR		
	UC 18	2202-000797	C CAPACITOR				UR 33	2001-000429	C RESISTOR		
	UC 30	2401-001364	E CAPACITOR				UR 34	2001-000429	C RESISTOR		
	UCW 1	3711-004420	CONNECTOR				UR 35	2001-000429	C RESISTOR		
	UCW 2	3711-004424	CONNECTOR				UR 36	2001-000429	C RESISTOR		
	UCW 3	3708-000454	CONNECTOR				UR 37	2001-000429	C RESISTOR		
	UCW 7	3711-000906	CONNECTOR				UR 38	2001-000290	C RESISTOR		
	UCW 8	3708-000451	CONNECTOR				UR 39	2001-000290	C RESISTOR		
	UCW 9	AH39-00157A	LEAD CONNECTOR	3P			UR 40	2001-000290	C RESISTOR		
	UD 20	0402-000127	DIODE	1N4002			UR 41	2001-000290	C RESISTOR		
	UD 21	0402-000127	DIODE	1N4002			UR 42	2001-000281	C RESISTOR		
	UD 22	0402-000127	DIODE	1N4002			UR 43	2001-000281	C RESISTOR		
	UD 23	0401-000101	DIODE	1N4148			UR 44	2001-000281	C RESISTOR		
	UD 24	0402-000127	DIODE	1N4002			UR 45	2001-000281	C RESISTOR		
	UD 25	0401-000101	DIODE	1N4148			UR 46	2001-000734	C RESISTOR		
	UD 26	0401-000101	DIODE	1N4148			UR 47	2001-000449	C RESISTOR		

■ Electrical parts list (Front board)

Block No. 03

△	Item	Parts number	Parts name	Remarks	Area
	UR 48	2001-000591	C RESISTOR		
	UR 49	2001-000449	C RESISTOR		
	UR 50	2001-000258	C RESISTOR		
	UR 51	2001-001178	C RESISTOR		
	UR 52	2001-000241	C RESISTOR		
	UR 53	2001-000429	C RESISTOR		
	UR 54	2001-000734	C RESISTOR		
	UR 55	2001-000591	C RESISTOR		
	UR 56	2001-000508	C RESISTOR		
	UR 57	2001-000793	C RESISTOR		
	UR 58	2001-000429	C RESISTOR		
	UR 59	2001-000241	C RESISTOR		
	UR 60	2001-000258	C RESISTOR		
	UR 61	2001-000273	C RESISTOR		
	UR 62	2001-000273	C RESISTOR		
	UR 63	2001-000273	C RESISTOR		
	UR 64	2001-000273	C RESISTOR		
	UR 65	2001-000429	C RESISTOR		
	UR 66	2001-000429	C RESISTOR		
	UR 67	2001-000449	C RESISTOR		
	UR 68	2001-000281	C RESISTOR		
	UR 69	2001-000281	C RESISTOR		
	UR 70	2001-000281	C RESISTOR		
	UR 71	2001-000429	C RESISTOR		
	UR 72	2001-000522	C RESISTOR		
	UR 73	2001-000429	C RESISTOR		
	UR 74	2001-000429	C RESISTOR		
	UR 75	2001-000429	C RESISTOR		
	UR 76	2001-000429	C RESISTOR		
	UR 77	2001-000429	C RESISTOR		
	UR 78	2001-000429	C RESISTOR		
	UR 79	2001-000429	C RESISTOR		
	UR 80	2001-000290	C RESISTOR		
	UR 81	2001-000290	C RESISTOR		
	UR 82	2001-000429	C RESISTOR		
	UR 83	2001-000273	C RESISTOR		
	UR 84	2001-000977	C RESISTOR		
	UR 85	2001-000411	C RESISTOR		
	UR 86	2001-000786	C RESISTOR		
	UR 87	2001-000290	C RESISTOR		
	UR 88	2001-000613	C RESISTOR		
	UR 89	2001-000613	C RESISTOR		
	UR 90	2001-000613	C RESISTOR		
	UR 91	2001-001178	C RESISTOR		
	UR 92	2001-001178	C RESISTOR		
	UR 93	2001-000449	C RESISTOR		
	UR 94	2001-000591	C RESISTOR		
	UR 95	2001-000734	C RESISTOR		
	UR 95	2001-000290	C RESISTOR		
	UR 96	2001-000977	C RESISTOR		
	UR 97	2001-000411	C RESISTOR		
	UR 99	2001-000522	C RESISTOR		
	UR100	2001-000411	C RESISTOR		
	UR101	2001-000977	C RESISTOR		
	UR102	2001-000734	C RESISTOR		
	UR103	2001-000786	C RESISTOR		
	UR201	2001-000273	C RESISTOR		
	UVR 1	3406-001047	ROTARY SWITCH	RE012104PVB25FI	
	UVR 2	2103-000492	SEMI F.VR.		
	UX 1	2802-000181	CERAMIC RESONAT		
	UX 2	2801-001394	CRYSTAL-UNIT	32.768KHZ	
	UXR 1	2001-000850	C RESISTOR		
	UXR 2	2001-000295	C RESISTOR		

△	Item	Parts number	Parts name	Remarks	Area
	UXR 3	2001-000454	C RESISTOR		
	VFD	AH07-00016A	DISPLAY		

■ Electrical parts list (CD servo board)

Block No. 04

△	Item	Parts number	Parts name	Remarks	Area	△	Item	Parts number	Parts name	Remarks	Area
	CW101	AH39-00060A	CORE-FERRITE BE	8P			NC703	2401-001102	E CAPACITOR		
	CW102	AH39-20561P	LEAD CONNECTOR	6P			NC800	2203-000260	C CAPASITOR		
	CW500	3711-000906	CONNECTOR				NC804	2203-000260	C CAPASITOR		
	IC922	1204-001286	IC	KB9223			NC901	2203-000206	C CAPACITOR		
	IC925	1003-000179	IC	KA9258D			NC903	2203-001537	C CAPACITOR		
	IC928	0904-001442	IC				NC904	2401-000240	E CAPACITOR		
	JW 1	2007-000029	CHIP RESISTOR				NC905	2203-000260	C CAPASITOR		
	NC 1	2203-000260	C CAPASITOR				ND200	0401-000101	DIODE	1N4148	
	NC 54	2401-001952	E CAPACITOR				ND201	0401-000101	DIODE	1N4148	
	NC100	2203-000892	C CAPACITOR				ND202	0401-000101	DIODE	1N4148	
	NC101	2203-000802	C CAPACITOR				ND203	0401-000101	DIODE	1N4148	
	NC102	2203-001551	C CAPASITOR				NIC05	AC14-12001G	IC		
	NC103	2203-000260	C CAPASITOR				NL100	2701-000114	INDUCTOR-AXIAL		
	NC104	2203-001537	C CAPACITOR				NL101	2701-000111	INDUCTOR-AXIAL		
	NC105	2401-000240	E CAPACITOR				NL102	2701-000111	INDUCTOR-AXIAL		
	NC106	2203-000892	C CAPACITOR				NL105	3301-000325	CORE-FERRITE BE		
	NC107	2203-000206	C CAPACITOR				NL300	3301-000297	CORE-FERRITE	3.6X1.2X5.7MM	
	NC108	2203-000206	C CAPACITOR				NL301	3301-000297	CORE-FERRITE	3.6X1.2X5.7MM	
	NC110	2203-000495	C CAPACITOR				NL302	3301-000297	CORE-FERRITE	3.6X1.2X5.7MM	
	NC111	2203-000802	C CAPACITOR				NR 1	2001-000429	C RESISTOR		
	NC112	2203-000260	C CAPASITOR				NR 2	2001-000429	C RESISTOR		
	NC113	2203-000260	C CAPASITOR				NR 3	2001-000429	C RESISTOR		
	NC114	2401-000419	E CAPACITOR				NR 4	2007-000468	CHIP RESISTOR		
	NC115	2203-001137	C CAPACITOR				NR 5	2007-000468	CHIP RESISTOR		
	NC116	2203-000260	C CAPASITOR				NR 6	2007-000468	CHIP RESISTOR		
	NC117	2301-000389	C RESISTOR				NR 7	2007-000468	CHIP RESISTOR		
	NC118	2203-000787	C CAPACITOR				NR 8	2001-000429	C RESISTOR		
	NC119	2203-000206	C CAPACITOR				NR 10	2007-000468	CHIP RESISTOR		
	NC120	2203-000206	C CAPACITOR				NR 11	2007-000468	CHIP RESISTOR		
	NC121	2203-000206	C CAPACITOR				NR 12	2007-000468	CHIP RESISTOR		
	NC122	2401-001952	E CAPACITOR				NR 13	2007-000395	CHIP RESISTOR		
	NC124	2401-001324	E CAPACITOR				NR100	2007-000355	CHIP RESISTOR		
	NC125	2203-000802	C CAPACITOR				NR101	2007-000593	CHIP RESISTOR		
	NC190	2203-000335	C CAPACITOR				NR103	2007-000395	CHIP RESISTOR		
	NC200	2203-000979	C CAPASITOR				NR104	2007-000338	CHIP RESISTOR		
	NC201	2203-001551	C CAPASITOR				NR105	2007-000830	CHIP RESISTOR		
	NC202	2203-001619	C CAPACITOR				NR106	2001-000319	C RESISTOR		
	NC203	2203-001619	C CAPACITOR				NR107	2007-000338	CHIP RESISTOR		
	NC204	2401-001324	E CAPACITOR				NR108	2007-000941	CHIP RESISTOR		
	NC205	2203-000260	C CAPASITOR				NR109	2007-000282	CHIP RESISTOR		
	NC300	2202-000796	C CAPACITOR				NR111	2007-000941	CHIP RESISTOR		
	NC301	2401-000778	E CAPACITOR				NR112	2007-001039	CHIP RESISTOR		
	NC400	2202-000243	C CAPACITOR				NR113	2001-000977	C RESISTOR		
	NC50L	2401-001952	E CAPACITOR				NR114	2007-000477	CHIP RESISTOR		
	NC50R	2401-001952	E CAPACITOR				NR115	2007-000444	CHIP RESISTOR		
	NC501	2401-000240	E CAPACITOR				NR116	2007-001195	CHIP RESISTOR		
	NC502	2203-000260	C CAPASITOR				NR117	2007-000898	CHIP RESISTOR		
	NC503	2203-000260	C CAPASITOR				NR119	2007-000395	CHIP RESISTOR		
	NC504	2203-000260	C CAPASITOR				NR120	2007-000355	CHIP RESISTOR		
	NC52L	2203-001537	C CAPACITOR				NR121	2007-000355	CHIP RESISTOR		
	NC52R	2203-001537	C CAPACITOR				NR200	2007-000653	CHIP RESISTOR		
	NC53L	2203-000260	C CAPASITOR				NR201	2007-000686	CHIP RESISTOR		
	NC53R	2203-000260	C CAPASITOR				NR202	2007-000686	CHIP RESISTOR		
	NC55L	2401-001952	E CAPACITOR				NR203	2007-000282	CHIP RESISTOR		
	NC55R	2401-001952	E CAPACITOR				NR204	2007-000355	CHIP RESISTOR		
	NC600	2203-000206	C CAPACITOR				NR300	2007-000282	CHIP RESISTOR		
	NC602	2203-000260	C CAPASITOR				NR400	2007-000409	CHIP RESISTOR		
	NC603	2203-001537	C CAPACITOR				NR50L	2007-000586	CHIP RESISTOR		
	NC666	2401-001895	E CAPACITOR				NR50R	2007-000586	CHIP RESISTOR		
	NC667	2203-000979	C CAPASITOR				NR52L	2007-000653	CHIP RESISTOR		
	NC700	2401-000778	E CAPACITOR				NR52R	2007-000653	CHIP RESISTOR		
	NC701	2401-000778	E CAPACITOR				NR53L	2007-000872	CHIP RESISTOR		
	NC702	2401-000240	E CAPACITOR				NR53R	2007-000872	CHIP RESISTOR		

■ Electrical parts list (CD servo board)

Block No. 04

△	Item	Parts number	Parts name	Remarks	Area
	NR54L	2007-000468	CHIP RESISTOR		
	NR54R	2007-000468	CHIP RESISTOR		
	NR55L	2007-000872	CHIP RESISTOR		
	NR55R	2007-000872	CHIP RESISTOR		
	NR555	2008-000140	C RESISTOR		
	NR57L	2007-000282	CHIP RESISTOR		
	NR57R	2007-000282	CHIP RESISTOR		
	NR602	2007-000300	CHIP RESISTOR		
	NR603	2007-000300	CHIP RESISTOR		
	NR604	2007-000468	CHIP RESISTOR		
	NR606	2007-000282	CHIP RESISTOR		
	NR804	2007-000468	CHIP RESISTOR		
	NR994	2007-001208	CHIP RESISTOR		
	NR995	2007-000830	CHIP RESISTOR		
	NR996	2007-000830	CHIP RESISTOR		
	NR997	2007-000830	CHIP RESISTOR		
	NR998	2007-000830	CHIP RESISTOR		
	NR999	2007-001208	CHIP RESISTOR		
	Q1501	0501-000610	TRNSISTOR	KSA928A	
	Q1502	0501-000314	TRNSISTOR	KSA812	
	SC 1	2203-000260	C CAPASITOR		
	SC 2	2203-000260	C CAPASITOR		
	SC 5	2401-000795	E CAPACITOR		
	SC 6	2203-000260	C CAPASITOR		
	SC 14	2401-000240	E CAPACITOR		
	SCO 4	AC14-12001G	IC		
	SCW 1	3708-001438	CONNECTOR		
	SCW 5	3708-001131	CONNECTOR		
	SCW 7	3711-003379	CONNECTOR		
	SIC 1	1003-001162	IC	KA3082	
	SIC 2	1003-001162	IC	KA3082	
	SL 1	2701-000179	INDUCTOR-AXIAL		
	SR 1	2001-000027	C RESISTOR		
	SR 2	2007-000872	CHIP RESISTOR		
	SR 3	2007-000468	CHIP RESISTOR		
	SR 4	2007-000468	CHIP RESISTOR		
	SZD 1	0403-000352	ZENER DIODE	UZ4.7BM	
	SZD 2	0403-000361	ZENER DIODE	UZ6.2BSB	
	WCW 1	3708-001252	CONNECTOR		
	XF100	2802-000211	CERAMIC RESONAT	16.93MHZ	

■ Electrical parts list (MIC / Headphone board) Block No. 05

△	Item	Parts number	Parts name	Remarks	Area
	HC 1	2202-000854	C CAPACITOR		
	HC 2	2202-000854	C CAPACITOR		
	HC 3	2202-000263	C CAPACITOR		
	HC 4	2202-000263	C CAPACITOR		
	HCW 1	3711-001009	CONNECTOR		
	HJACK	3722-000351	PHONES JACK	11P	
	HL 1	2701-000114	INDUCTOR-AXIAL		
	HL 2	2701-000114	INDUCTOR-AXIAL		
	HR 1	2001-001178	C RESISTOR		
	HR 2	2001-001178	C RESISTOR		

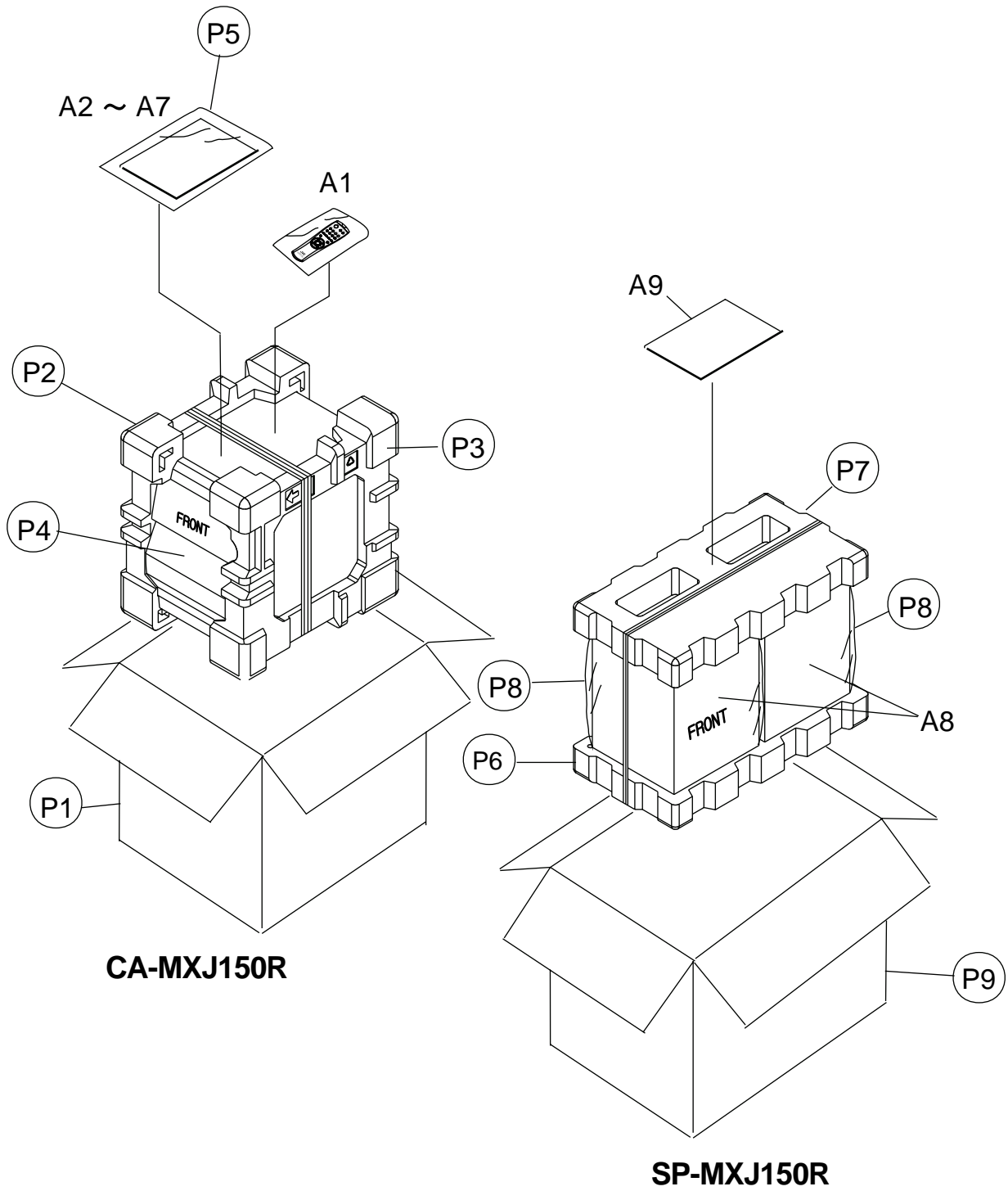
Packing materials and accessories parts list

Block No.

M	5	M	M
---	---	---	---

Block No.

M	6	M	M
---	---	---	---



Parts list (Packing)

Block No. M5MM

△	Item	Parts number	Parts name	Q'ty	Description	Area
	P 1	AH69-00164B	PACKING CASE	1	CA-MXJ150R	
	P 2	AH69-00152A	CUSHION-L	1	CA-MXJ150R	
	P 3	AH69-00153A	CUSHION-R	1	CA-MXJ150R	
	P 4	AH69-30012T	POLY BAG	1	CA-MXJ150R	
	P 5	QPA02503503P	POLY BAG	1	CA-MXJ150R	
	P 6	AH81-00243M	BOTTOM CUSHION	1	SP-MXJ150R	
	P 7	AH81-00243L	TOP CUSHION	1	SP-MXJ150R	
	P 8	AH81-00243P	POLY BAG	2	SP-MXJ150R	
	P 9	AH81-00243R	PACKING CASE	1	SP-MXJ150R	

Parts list (Accessories)

Block No. M6MM

△	Item	Parts number	Parts name	Q'ty	Description	Area
	A 1	AH59-00044B	REMOCON ASSY	1		
	A 2	AH68-00337M	INST.BOOK(CA-MXJ150R)	1	ENG,GER,FRE,DUT,SPA,ITA	E
		AH68-00337L	INST.BOOK(CA-MXJ150R)	1	GER,FRE,DUT,SWE,FIN,DAN	EN
		AH68-00337Q	INST.BOOK(CA-MXJ150R)	1	ENG,CZE,POL,HUN	EV
	A 3	AH68-00415D	GUARANTY CARD	1		
	A 5	QAL0014-001	LOOP ANT	1		
	A 6	EWP503-001	FM WIRE ANT	1		
	A 7	-----	BATTERY	1		
	A 8	MXJ100K-SPBOX	SPEAKER SYSTEM	2		
	A 9	AH81-00243T	INST.BOOK(SP-MXJ150R)	1	ENG,GER,FRE,DUT,SPA,ITA, SWE,FIN,DAN,POL,HUN,CZE	